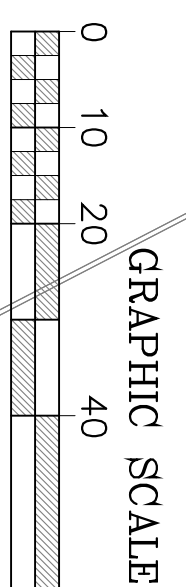
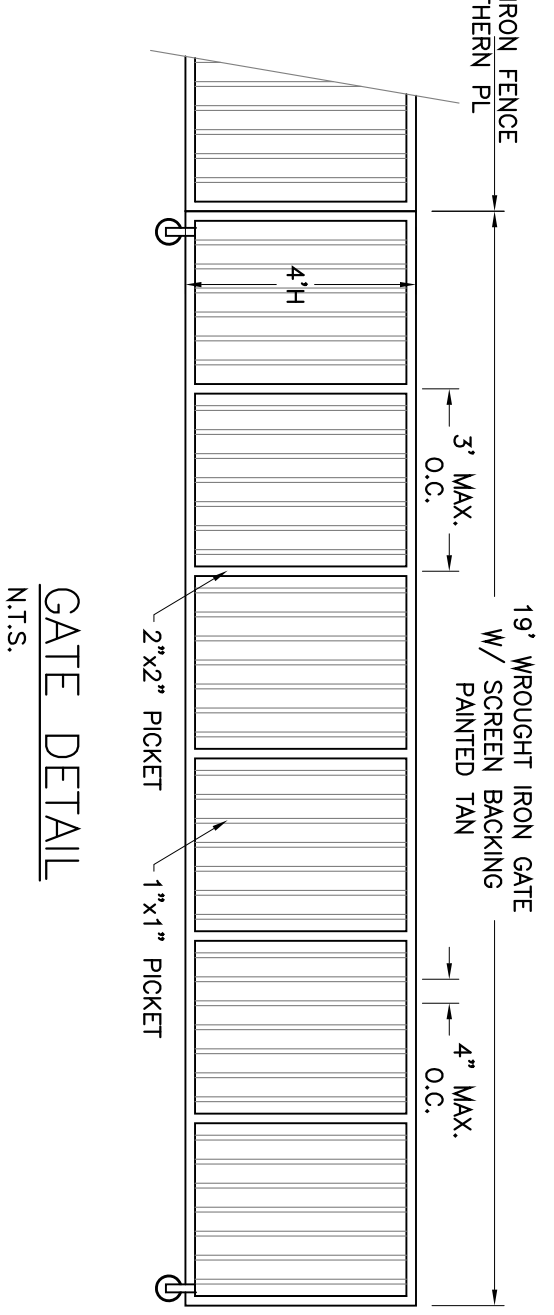
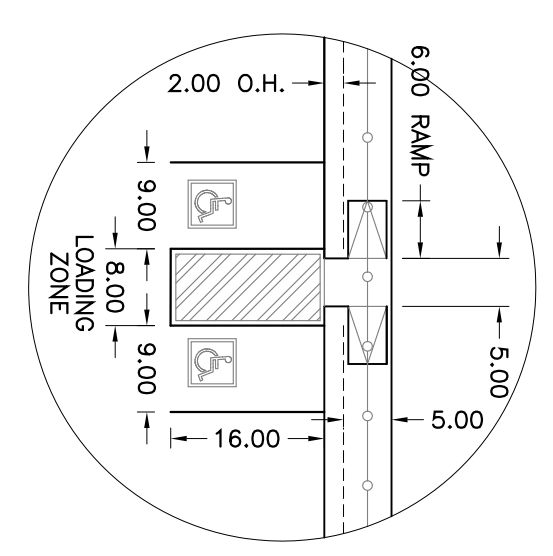


GUSTIN ROAD

CAJALCO ROAD



- CONCRETE
- INTERLOCK BRICK PAVERS
- CONCRETE V-SWALE & GUTTER



SITE PLAN

Sheet Title: _____
Sheet Number: _____

Client: LAKE MATHEWS SQUARE, LLC.
c/o RAMCAM ENGINEERING
670 E. PARKRIDGE AVE, #101
TALAHUE, CA 92382
Tel: (951) 734-6330
Fax: (951) 734-6348
RAMCAM@RAMCAMGROUP.COM

Date: SEPTEMBER 21, 2009
Project: RC-07213
Correction: _____

PP 23129
PW 23218
PM 23219

LAKE MATHEWS SQUARE
SOUTHWEST CORNER
GUSTIN ROAD & CAJALCO ROAD
RIVERSIDE COUNTY, MEAD VALLEY DISTRICT, CALIFORNIA

RamCam
601 Peridot Avenue #101
Corona, California 92879
Tel: 951-74-1330 Fax: 951-74-9486
ramcam@ramcamgroup.com

All drawings, designs and technical information on electronic media are the property of RamCam and shall remain confidential. The user is prohibited from using this information for any purpose whatsoever without the written consent of RamCam. No liability is assumed by RamCam for any errors or omissions in this drawing. © 2009 RamCam